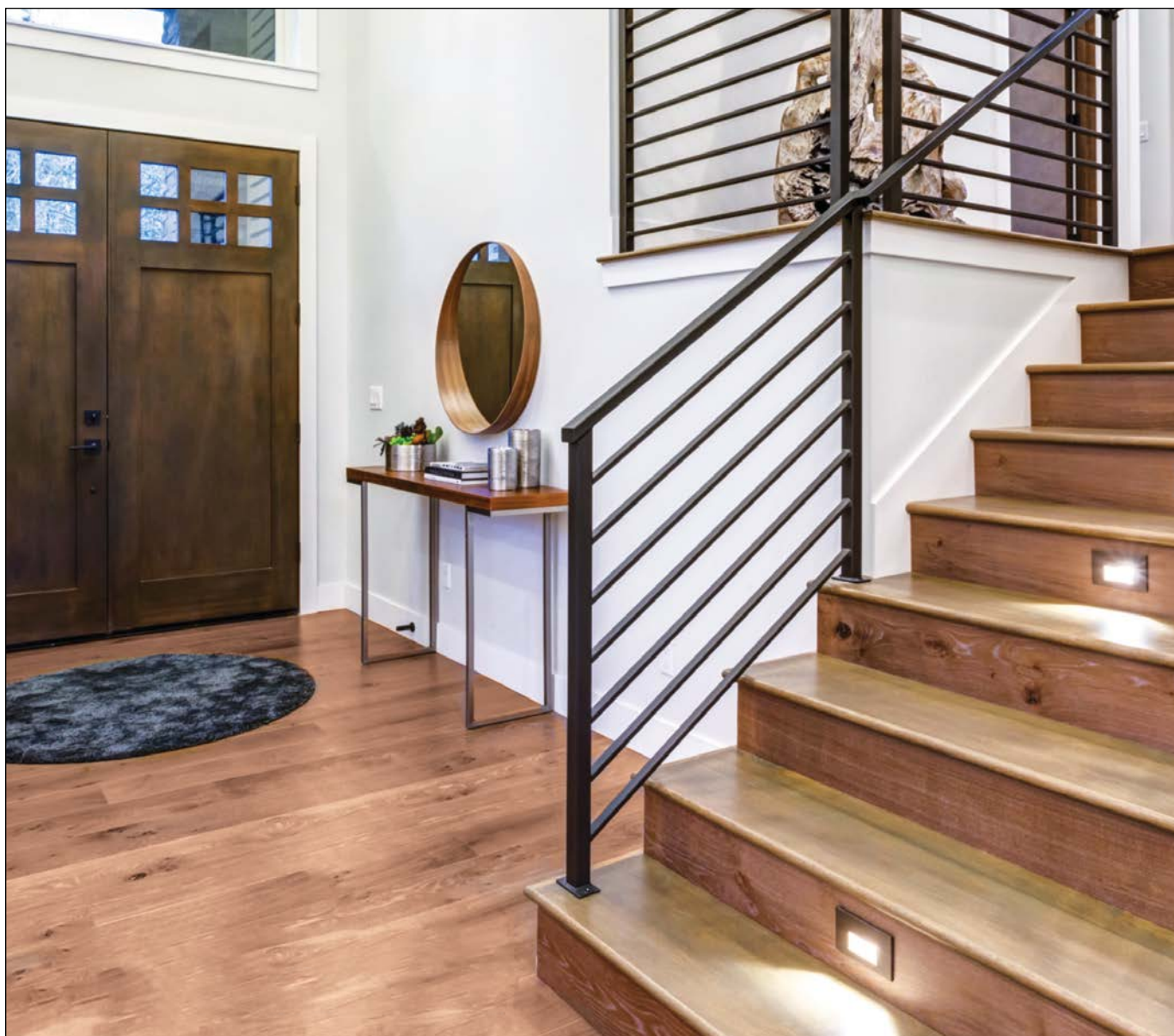




# HARDWOOD TRIMS + MOLDINGS




mosaic   
Products. Design. Solutions.  
[www.mosaictileco.com](http://www.mosaictileco.com)



# Contents

Retro Treads + Risers .....	4
Retrocraft Treads + Risers .....	6
Solid Treads + Risers .....	8
Hardwood Moldings .....	10
Hardwood Vents.....	12
Installation Instructions .....	14

	LOOK FOR THIS LOGO!
	Products noted with this logo are stocked in our Central Service Center.
	Orders placed before noon are available within 1 business day.

# RETRO TREADS + RISERS

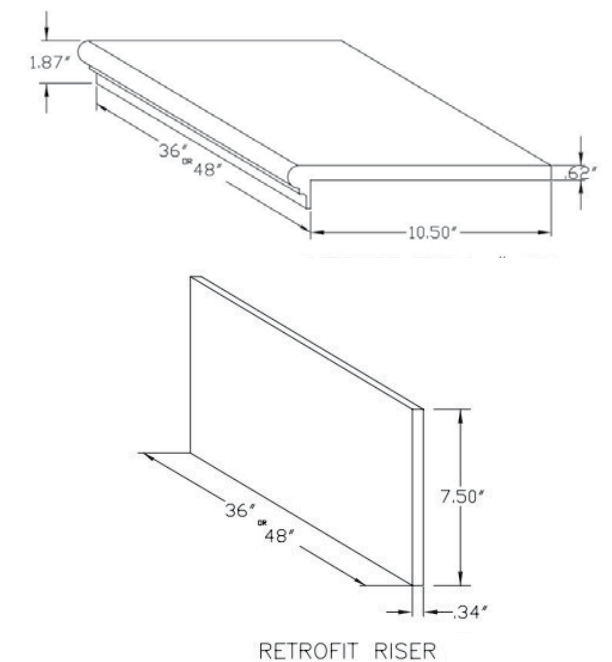
These treads are designed to fit over the original stairs and are constructed out of hardwood that's built to last. With Retro Treads, you can be confident that you are investing in a long-lasting solution.

Description	Size	Item ID	Retail Price
Retro Tread (Ogee)	36"	PE _____ 36TR	<b>\$130.98</b>
Retro Tread (Ogee)	48"	PE _____ 48TR	<b>\$157.52</b>
Single Return Left Retro Tread	Tread up to 35" Throat	PE _____ 36SRLR	<b>\$177.08</b>
Single Return Left Retro Tread	Tread up to 47" Throat	PE _____ 48SRLR	<b>\$203.54</b>
Single Return Right Retro Tread	Tread up to 35" Throat	PE _____ 36SRRR	<b>\$177.08</b>
Single Return Right Retro Tread	Tread up to 47" Throat	PE _____ 48SRRR	<b>\$203.54</b>
Double Return Retro Tread	Tread up to 34" Throat	PE _____ 36DRR	<b>\$217.74</b>
Double Return Retro Tread	Tread up to 46" Throat	PE _____ 48DRR	<b>\$244.20</b>
Riser White Retro Primed (0.34" thick)	Riser 36"	PERISWHI36	<b>\$16.42</b>
Riser White Retro Primed (0.34" thick)	Riser 48"	PERISWHI48	<b>\$21.88</b>
Riser Stained Retro (0.34" thick)	36"	PE _____ 36RR	<b>\$78.88</b>
Riser Stained Retro (0.34" thick)	48"	PE _____ 48RR	<b>\$92.00</b>

\* First 3 letters of series / first 3 letters of color

# RETRO TREAD & RISER PROFILES

- Available in any Arbor Engineered Hardwood collection finish color
- Designed to prevent the tread nosing from breaking away from the tread
- Solid hardwood construction
- Edge glued
- Kiln dried
- 36" or 48" lengths
- Left or right hand return treads available
- Double return treads available
- Extra long cove is integrated under the nose to discreetly cover the joint between the old tread and riser. Also provides greater flexibility in covering imperfections
- Risers available in stained or primed white finishes



# RETROCRAFT TREADS + RISERS

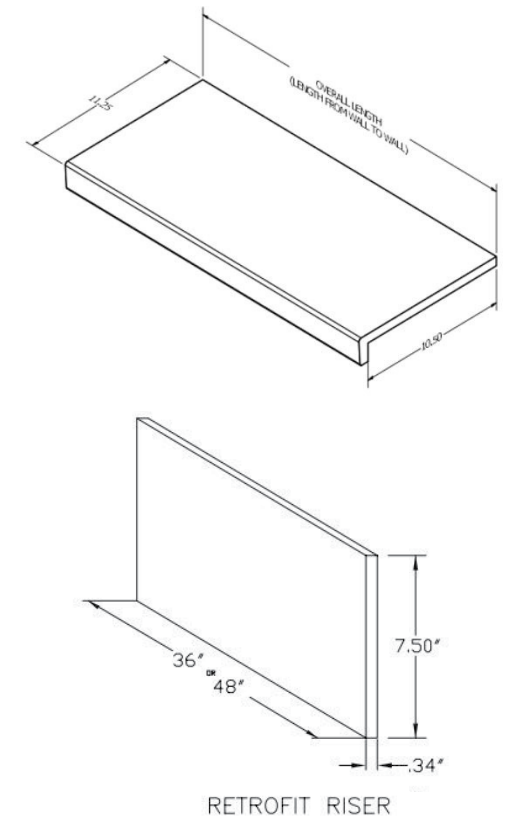
Upgrade your stairs with RetroCraft Treads. These chic and modern treads feature a square nosing, providing a sleek and sophisticated look. Built to last, these treads are crafted from hardwood and are designed to fit over the existing stairs. With RetroCraft Treads, you can rest assured that you are getting a durable and high-quality solution for your stair renovation.

Description	Size	Item ID	Retail Price
Retro Craft Tread (Square)	36"	PE _____ 36TC	<b>\$130.98</b>
Retro Craft Tread (Square)	48"	PE _____ 48TC	<b>\$157.52</b>
Single Return Left Retro Craft Tread	Tread up to 35" Throat	PE _____ 36SRLC	<b>\$177.08</b>
Single Return Left Retro Craft Tread	Tread up to 47" Throat	PE _____ 48SRLC	<b>\$203.54</b>
Single Return Right Retro Craft Tread	Tread up to 35" Throat	PE _____ 36SRRC	<b>\$177.08</b>
Single Return Right Retro Craft Tread	Tread up to 47" Throat	PE _____ 48SRRC	<b>\$203.54</b>
Double Return Retro Craft Tread	Tread up to 34" Throat	PE _____ 36DRC	<b>\$217.74</b>
Double Return Retro Craft Tread	Tread up to 46" Throat	PE _____ 48DRC	<b>\$244.20</b>
Riser White Retro Primed (0.34" thick)	Riser 36"	PERISWHI36	<b>\$16.42</b>
Riser White Retro Primed (0.34" thick)	Riser 48"	PERISWHI48	<b>\$21.88</b>
Riser Stained Retro (0.34" thick)	36"	PE _____ 36RR	<b>\$78.88</b>
Riser Stained Retro (0.34" thick)	48"	PE _____ 48RR	<b>\$92.00</b>

\* First 3 letters of series / first 3 letters of color

# SQUARE RETROCRAFT TREAD & RISER PROFILES

- Available in any Arbor Engineered Hardwood collection finish color
- Designed to prevent the tread nosing from breaking away from the tread
- Solid hardwood construction
- Edge glued
- Kiln dried
- 36" or 48" lengths
- Left or right hand return treads available
- Double return treads available
- Extra long cove is integrated under the nose to discreetly cover the joint between the old tread and riser. Also provides greater flexibility in covering imperfections
- Risers available in stained or primed white finishes



# SOLID TREADS + RISERS

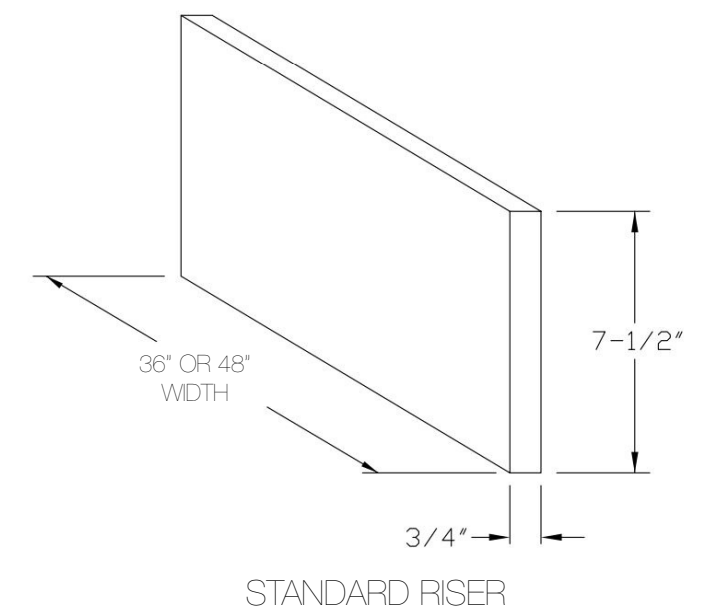
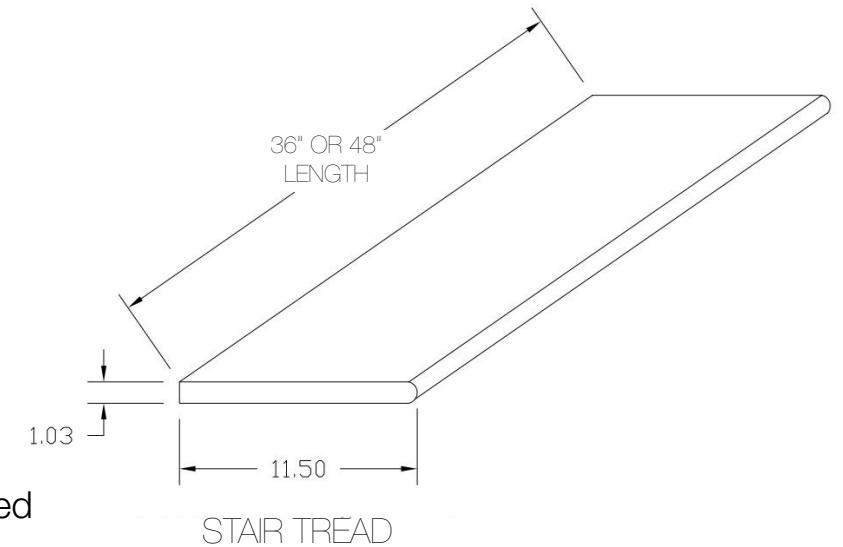
When it comes to new construction projects, Solid Treads are an excellent choice. Featuring a timeless, traditional style with a round nosing, these treads offer durability and longevity. Constructed from solid hardwood, they are built to last for years to come. Solid Treads provide an exceptional, long-lasting solution for your stair project.

Description	Size	Item ID	Retail Price
Solid Tread	36"	PE _____ 36TS	\$130.98
Solid Tread	48"	PE _____ 48TS	\$157.52
Single Return Left Solid Tread	Tread up to 35" Throat	PE _____ 36SRLS	\$177.08
Single Return Left Solid Tread	Tread up to 47" Throat	PE _____ 48SRLS	\$203.54
Single Return Right Solid Tread	Tread up to 35" Throat	PE _____ 36SRRS	\$177.08
Single Return Right Solid Tread	Tread up to 47" Throat	PE _____ 48SRRS	\$203.54
Double Return Solid Tread	Tread up to 34" Throat	PE _____ 36DRS	\$217.74
Double Return Solid Tread	Tread up to 46" Throat	PE _____ 48DRS	\$244.20
Riser White Retro Primed (0.34" thick)	Riser 36"	PERISWHI36	<b>\$16.42</b>
Riser White Retro Primed (0.34" thick)	Riser 48"	PERISWHI48	<b>\$21.88</b>
Riser Stained Solid (1" thick)	36"	PE _____ 36RS	<b>\$86.96</b>
Riser Stained Solid (1" thick)	48"	PE _____ 48RS	<b>\$103.54</b>

\* First 3 letters of series / first 3 letters of color

# SOLID TREAD & RISER PROFILES

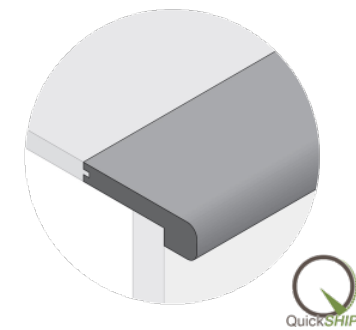
- Available in any Arbor Engineered Hardwood collection finish color
- Designed to prevent the tread nosing from breaking away from the tread
- Solid hardwood construction
- Edge glued
- Kiln dried
- 36" or 48" lengths
- Left or right hand return treads also available
- Double return treads also available
- Extra long cove is integrated under the nose to discreetly cover the joint between the old tread and riser. Also provides greater flexibility in covering imperfections
- Risers available in stained or primed white finishes



# HARDWOOD MOLDINGS

Our durable hardwood base and transition pieces provide the perfect finishing touch for your flooring and stair projects. These moldings are essential to complete the installation of hardwood flooring, as they create a smooth transition between the flooring and adjoining vertical or horizontal surfaces, ensuring a seamless look throughout the room. Whether you require wall base moldings to flow flawlessly from room to room, or transition moldings to bring the various elements of a room together, our hardwood base and transition pieces provide the ideal foundation.

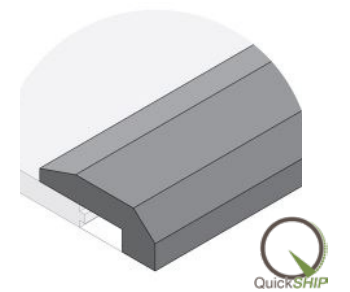
# HARDWOOD BASE AND MOLDING PROFILES



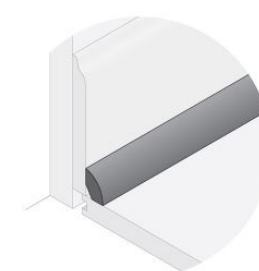
**FLUSH STAIRNOSE**



**T-MOLDING**



**THRESHOLD**



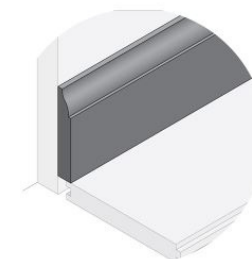
**QUARTER ROUND AND SHOE**



**REDUCERS FLUSH AND OVERLAP**



**COVE**



**WALL BASE**

Dimensions vary per series.

Items marked  are stocked in our Central Service Center for Union Street only.

# HARDWOOD VENTS

Give your flooring project the perfect finishing touch with our exquisite hardwood register vent covers. With both drop-in and flush designs available, these vents come in a variety of popular wood styles and can be finished to match your specific needs. Our hardwood vent covers are designed to blend in with the surrounding flooring, providing an elegant and seamless appearance. Not only do they enhance the aesthetic appeal of your home, but they also maximize air circulation. Upgrade your home today with our premium hardwood vent registers.

Description	Size	Item ID	Retail Price
Vent Drop In	4 x 10	PE _____ 410VD	\$93.72
Vent Drop In	4 x 12	PE _____ 412VD	\$94.00
Vent Flush with Frame	4 x 10	PE _____ 410VF	\$93.72
Vent Flush with Frame	4 x 12	PE _____ 412VF	\$94.00

\* First 3 letters of series / first 3 letters of color

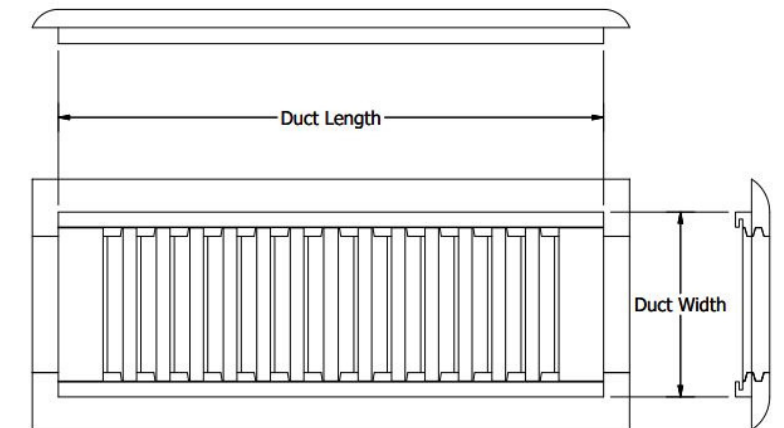
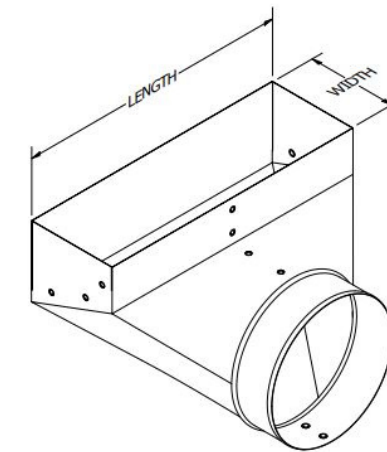
# HARDWOOD VENT PROFILES



FLUSH MOUNT WITH FLOOR



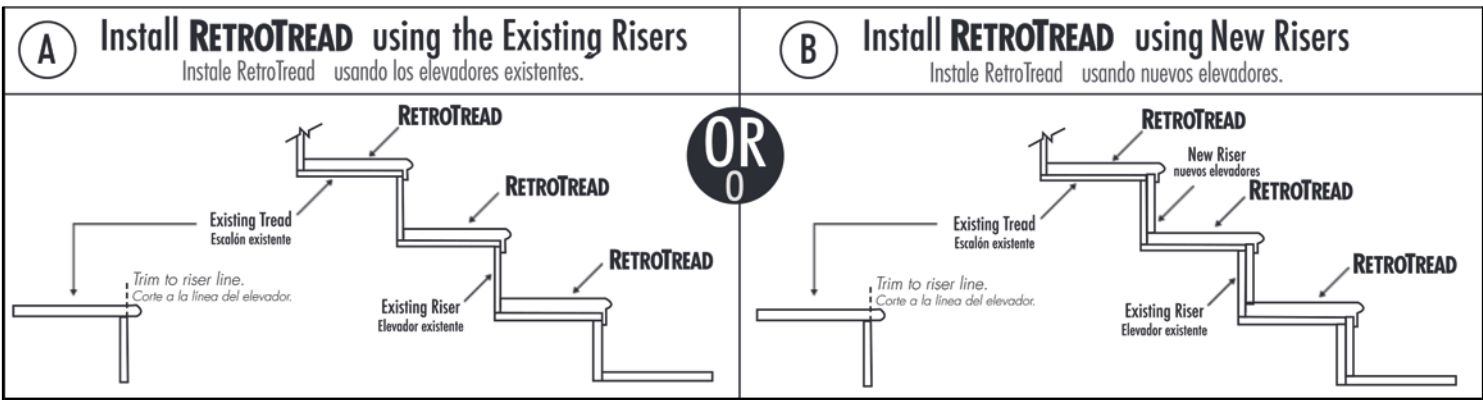
DROP-IN



Vents are identified by the duct length and duct width. Use these measurements when ordering.

Vents are available in both 4x10 and 4x12 sizes.

Flush mount vents are a .5" thick tongue and groove design and must be placed at the time the flooring is installed. For the Vinewood and Evermore series, flush mount vents require shimming to match the height of the flooring.

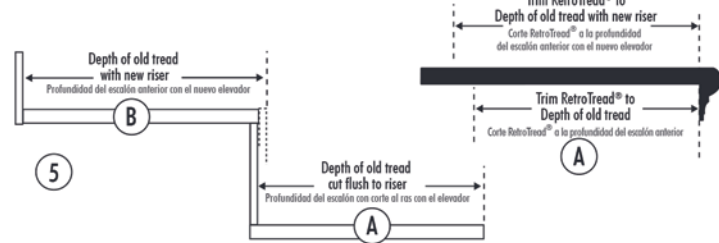


## RETROTREAD Installation is Simple! La instalación RetroTread es sencilla!

1. Remove floor covering from existing stair treads.  
1. Retire la cubierta del piso de los escalones existentes.
2. Remove floor covering from existing stair risers if undesired.  
2. Retire la cubierta del piso de los elevadores de escalera si no los desea.
3. Trim old tread to riser line.  
3. Corte el escalón anterior a la línea del elevador.
4. Adhere thin aesthetically pleasing cover to riser if desired or install new riser.  
4. Agregue una cubierta delgada y agradable a la vista al elevador (si lo desea) o instale un elevador nuevo.
5. Trim RetroTread® to fit width and depth. If finished tread has exposed ends and requires return nosing, please refer to instructions below BEFORE TRIMMING.  
5. Corte RetroTread® para que se ajuste en ancho y profundidad. Si el escalón terminado tiene extremos expuestos y requiere ajuste, remítase a las instrucciones a continuación ANTES DE RECORTAR.
6. Glue RetroTread® down with urethane adhesive. (NEVER USE WATERBASED)  
6. Adhiera RetroTread® a la profundidad del escalón anterior con el adhesivo de uretano.

**ADHESIVE, USE URETHANE BASED CONSTRUCTION ADHESIVE ONLY WITH RetroTread®.**

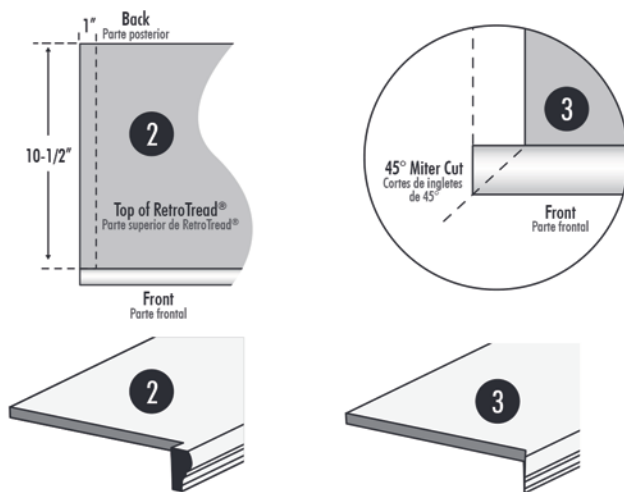
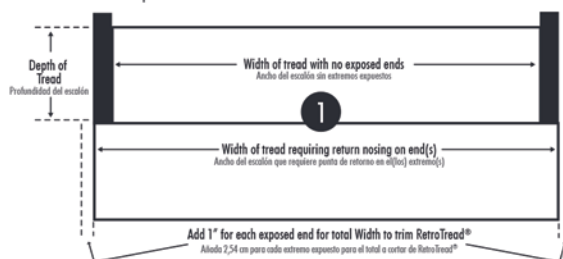
6. Adhiera RetroTread® con adhesivo de uretano. (NUNCA UTILICE ADHESIVO A BASE DE AGUA UTILICE ÚNICAMENTE ADHESIVO PARA CONSTRUCCIÓN A BASE DE URETANO CON RetroTread®).
7. Finish RetroTread® as desired.  
7. De acabado a RetroTread® como lo desee.



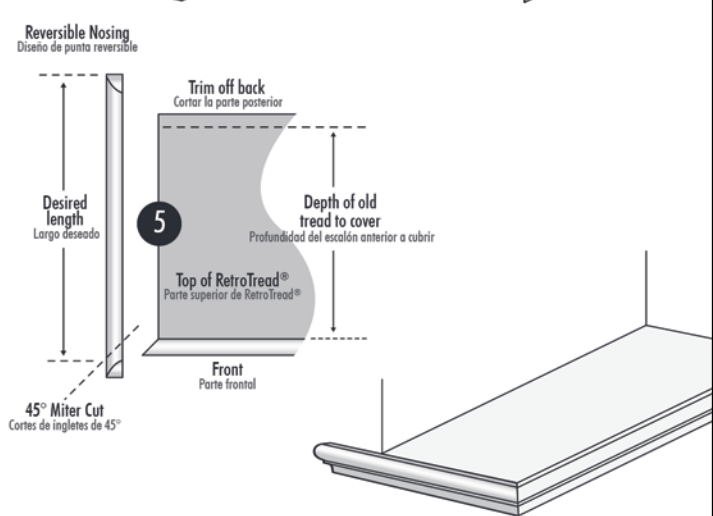
### Instructions for Mitering RETROTREAD and Reversible RETROTREAD Return Nosing:

Instrucciones para cortar en inglete el RetroTread® reversible y el RetroTread® de retorno.

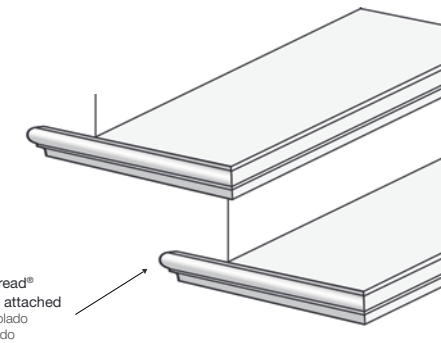
1. For tread requiring return nosing, trim RetroTread® to width of staircase plus 1" if one end requires return nosing or plus 2" if both ends require return nosings. DO NOT TRIM TO DEPTH AT THIS TIME.  
1. Para cuando el escalón necesita una punta de retorno, corte RetroTread® según el ancho de la escalera más 2,54 cm si uno de los extremos necesita una punta de retorno o más de 5 cm si ambos extremos necesitan puntas de retorno. NO CORTE A PROFUNDIDAD EN ESTE MOMENTO.



2. Remove a 10-1/2" x 1" section by cutting from the back edge of the RetroTread® as shown in (diag. 2), making sure not to cut through the front nosing.  
2. Retire una sección de 10-1/2" x 1" al cortar el borde posterior de RetroTread® como se muestra en el diagrama 2, asegúrese de no hacer un corte en la punta frontal.
3. From front nosed edge of RetroTread® make a 45 degree cut. Then cut back edge of RetroTread® to correct depth of the old staircase tread. (diag. 3)  
3. A partir del borde frontal de la punta del RetroTread® haga un corte de 45 grados. Luego corte el borde de RetroTread® para corregir la profundidad del escalón anterior. (diagrama 3)
4. Clean up miter to make a smooth transition where two cuts intersect.  
4. Limpie la ingletadora para hacer un corte limpio en donde los otros dos cortes se encuentran.
5. Cut 45 degree miter to make Reversible RetroTread® Return Nosing desired length making sure you miter the appropriate end. Trim RetroTread® to depth of old tread. (diag. 5)  
5. Corte el inglete a 45 grados para que el RetroTread® de punta de retorno reversible tenga la longitud deseada, asegúrese de cortar en inglete el extremo correcto. Corte RetroTread® a la profundidad del escalón anterior. (diagrama 5)
6. Apply wood glue to RetroTread® and attached mitered RetroTread® Return Nosing with two finish nails.  
6. Aplique pegamento para madera al RetroTread® y a la punta de retorno ingletada de RetroTread® con dos clavos de acabado



7. Apply wood filler to any gaps or voids.  
7. Aplique relleno para madera a cualquier grieta u hoyo.
8. Sand to desired smoothness and appearance.  
8. Lije para obtener la textura y apariencia deseada.
9. Glue RetroTread® down with urethane adhesive. (NEVER USE WATERBASED ADHESIVE, USE URETHANE BASED CONSTRUCTION ADHESIVE ONLY WITH RetroTread®).  
9. Adhiera RetroTread® con adhesivo de uretano. (NUNCA UTILICE ADHESIVO A BASE DE AGUA UTILICE ÚNICAMENTE ADHESIVO PARA CONSTRUCCIÓN A BASE DE URETANO CON RetroTread®).
10. Finish RetroTread® as desired.  
10. De acabado a RetroTread® como lo desee.





# mosaic

Products. Design. Solutions.

Alexandria, VA | Chantilly, VA | Fairfax, VA | Richmond, VA | Virginia Beach, VA  
North Bethesda, MD\* | Owings Mills, MD\* | Greensboro, NC | Raleigh, NC

[www.mosaictileco.com](http://www.mosaictileco.com)



Noted (\*) locations are  
100% wind powered!  
All locations support  
renewable power sources.

