

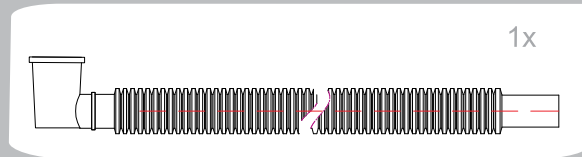
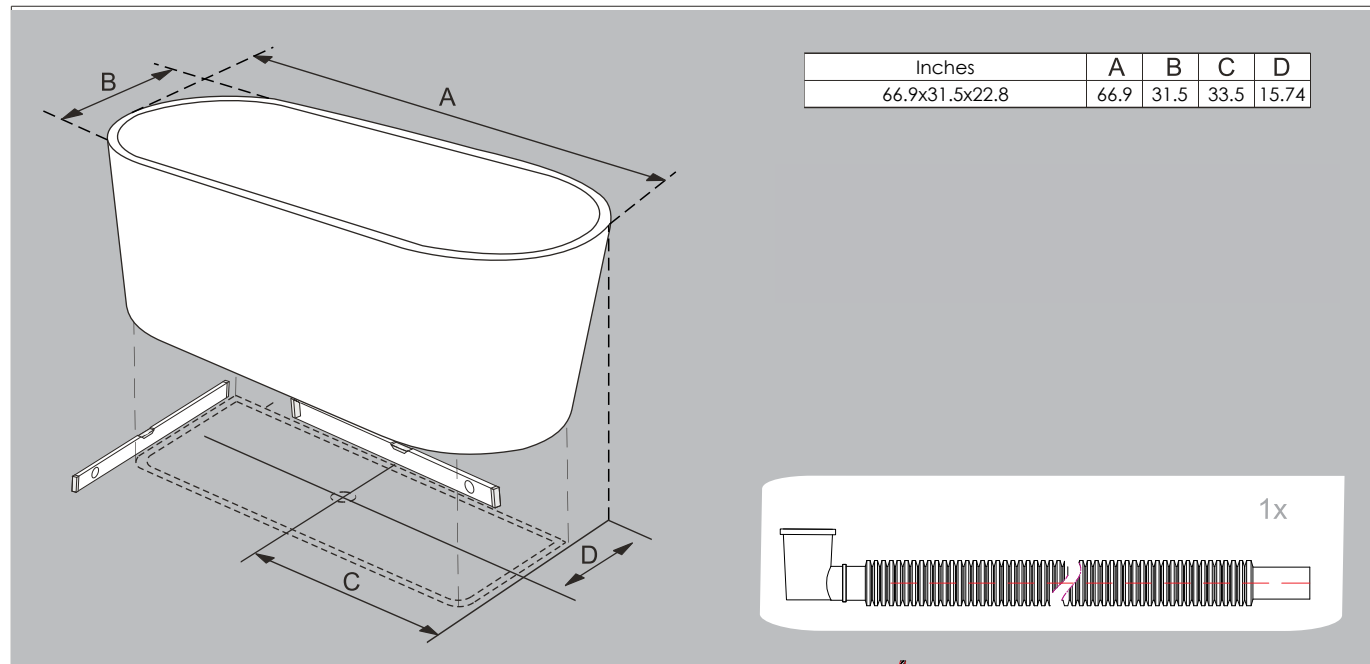


Freestanding Bathtub

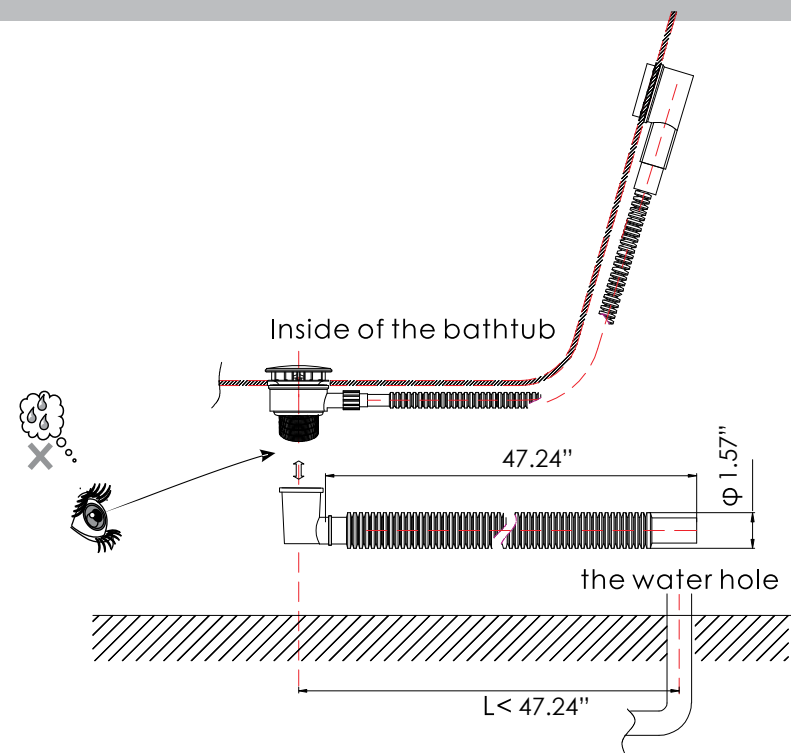
SATURN



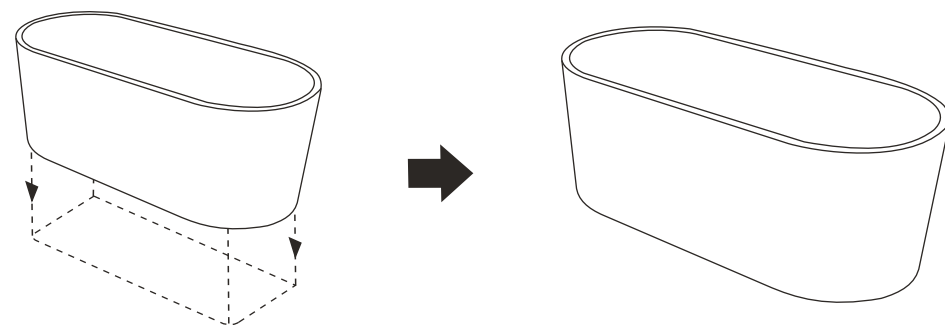
SATURN



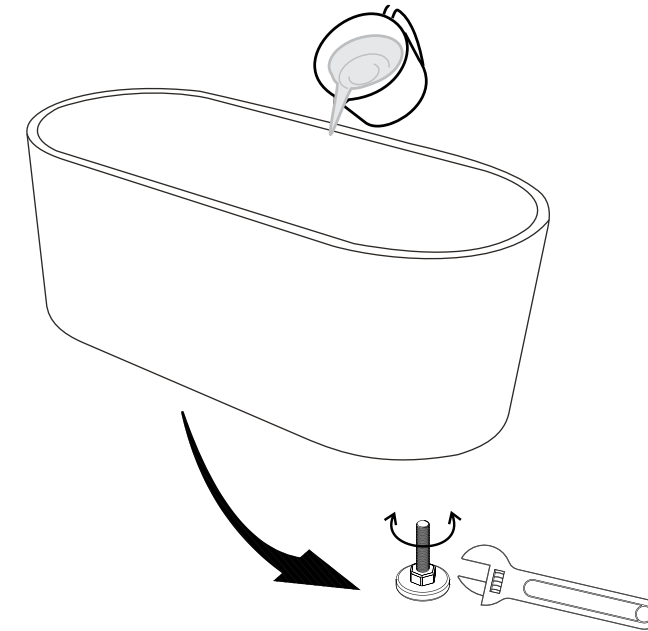
1



2



Pour some water into the bathtub to test drainage and check for leaks. If necessary, adjust by legs by tightening with a spanner wrench. If a leak is found, adjust bathtub to level. Adjust the feet screws and make sure the water flows into the drain.



Before Installation:

1. Please reserve enough space for installation according to the structure and size of the bathtub, also leave space for draining.
2. Unpack the carton carefully and check if there is any damage on bathtub.

3. The outside bathtub is covered with a protective film. Before installing, remove the protective film around the bathtub. Be careful not to scratch the bathtub surface.

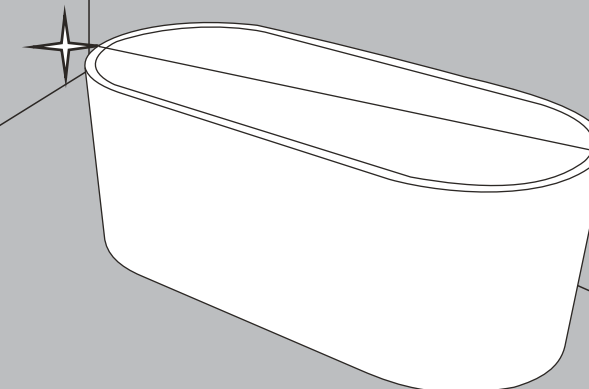
Please note:

4. Locate water inlet and drain according to the bathtub before using it.
5. Electrical products (such as hair dryers, etc.) near the bathtub should be moved to avoid falling into the bathtub.

Care and Maintenance:

6. Clean with liquid detergent and soft cloth. Do not use acetone, ammonia, or detergent containing organic solvent. If it is necessary to disinfect, it is forbidden to use formaldehyde products, otherwise the surface of the bathtub may be damaged.

7. Repairing a scratch: If any scratches occur, these can be removed by rubbing with 1500 grit waterproof abrasive paper. Then add some toothpaste and polish the bathtub with flannel to make it shine as new.



EN

