

# CUSTOM BATH VANITIES

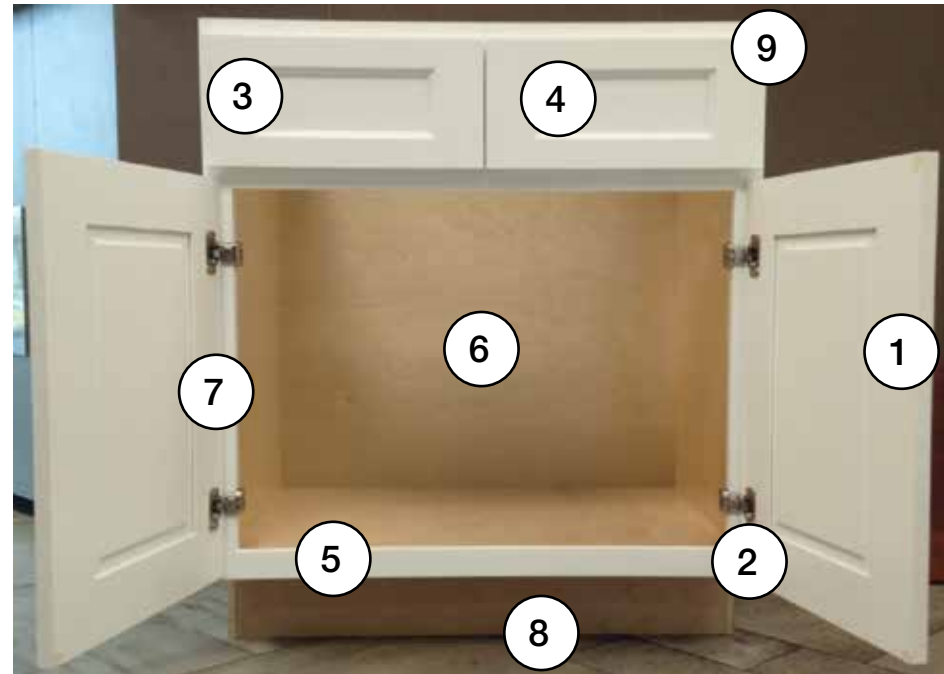


mosaic   
Products. Design. Solutions.

## The Premier Series

With the highest quality materials and finest attention to detail, our wide selection of Premier Series doors offers distinctive touches and superb craftsmanship.

- Full overlay doors
- Soft close hinges & slides
- 5/8" solid wood dovetail drawers
- High grade finish



- 1 Solid wood door frames – either doweled and glued or mortise and tenon, depending on the door
- 2 6-way adjustable concealed hinge
- 3 5/8" solid birch dovetail drawer with under mount soft close sides
- 4 Inside drawer height is 2-1/2"
- 5 3/4" x 1-1/2" solid wood face frame
- 6 Back panel is 5 piece picture frame 3/4" thick
- 7 1/2" select birch veneered plywood side panels dovetailed into face frame
- 8 3/4" x 4-1/2" solid wood toe kick finished to match
- 9 I-Beam construction – Wood beam is riveted into the box frame for additional support



## The Value Series

The Value Series is our most budget-friendly line. Featuring full overlay doors and soft close 6-way adjustable door hinges, the Value Series offers a clean style and standard features at a great price.

- Full overlay doors
- Soft close 6-way adjustable door hinges
- Particle board cabinet box with plywood back
- High grade finish

## Series Comparison: Premier vs. Value

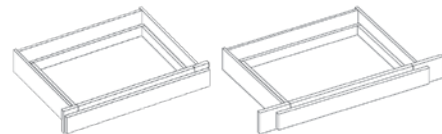
	Premier Series (Shaker, Brooklyn, Lenox, Napa)	Value Series (Taylor)
<b>Cabinet Box</b>	1/2", 7 Ply, Plywood	1/2" Particle Board with Plywood Back
<b>Drawer Box</b>	5/8" Solid Wood, Dovetailed	1/2" Plywood, Straight
<b>Drawer Slides</b>	Under Mount, Full Extension, Metal, Soft Close with Ball Bearings	Side Mount, 3/4 Extension, Epoxy-Vinyl Slides with Nylon Rollers
<b>Wood Species</b>	Birch	Birch
<b>Door Hinge</b>	6 Way Adjustable, Soft Close	6 Way Adjustable, Soft Close
<b>Shelves</b>	Adjustable, 3/4" Plywood	Adjustable, 5/8" Plywood
<b>Base Corner Reinforcement</b>	3" Plywood Blocks or Stretchers	3/4" Plastic Corner Braces with Tabs
<b>Face Frame</b>	1-1/2" Rails and Stiles, Solid Wood	1-1/2" Rails and Stiles, Solid Wood
<b>Full Overlay Door</b>	Shaker: 5 Piece with Solid Center Panel; 2-3/4" or 3-1/2" Stiles and Rails Brooklyn: 5 Piece with Solid Center Panel; 3" Stiles and Rails Lenox / Napa: 9 Piece Raised Panel with Applied Molding	5 Piece Recessed Panel; 3" Stiles and Rails
<b>Drawer Head</b>	Shaker: 5 Piece with Solid Center Panel; 2-3/4" Stiles and 1-7/8" Rails Brooklyn: 5 Piece with Solid Center Panel; 3" Stiles and 2" Rails Lenox / Napa: 9 Piece Raised Panel with Applied Molding	Slab; 3" Stiles and Rails
<b>Approvals</b>	CARB, E-1	CARB, E-1
<b>Assembly</b>	Glue and Staples, No Cams or Brackets	Glue and Staples, No Cams or Brackets
<b>Toe Kick Depth</b>	3-3/4"	3-3/4"
<b>Interior Finish</b>	Natural	Matching Color Veneer
<b>Finish panels are not necessary. All cabinets are constructed with finished exteriors to match the doors.</b>		

# How To Create Your Custom Vanity

1. Choose your series: Premier or Value
2. Choose your door style and color, note your two-letter color code.

PREMIER									VALUE		
SHAKER		BROOKLYN			LENOX			NAPA	TAYLOR		
SW	SE	BW	BG	BS	LM	LV	LL	NW	TW	TR	TE
Designer White	Espresso	Bright White	Modern Gray	Slate	Mocha	Canvas	Country Linen	White	White	Creme	Espresso

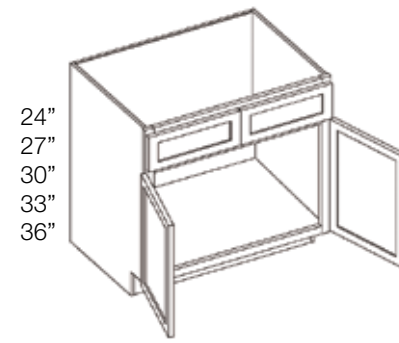
3. Choose your products from the options on the following pages.
  - Each item priced as shown.
  - Shaker Designer White (SW) cabinet boxes require “-5PC” at the end of each sku.
  - Base Cabinets are 21” deep and 34.5” high standard. Custom depths are available with an upcharge.
  - Pantry Cabinets are 24” deep standard. Custom depths are available with an upcharge.
  - Wall Towers are 15” deep.
  - Touch-up kits are available.



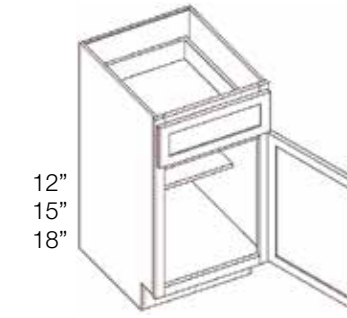
Vanity Drawers

VANITY DRAWERS	SW	SE	BW	BG	BS	LM	LV	LL	NW	TW	TR	TE
<b>KC __ -KD24</b> 23.5” W x 4.75” H	\$245.28		\$248.98		\$260.08	\$245.28	\$252.68		\$252.68	N/A		
<b>KC __ -KD36</b> 29.5” to 36” W x 4.75” H	\$290.89		\$295.73		\$310.25	\$290.89	\$300.57		\$300.57	\$235.24		\$230.41

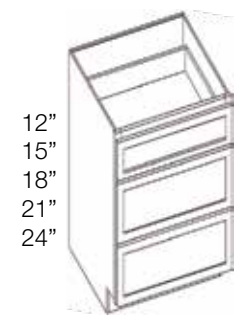
Standard depth is 21”. Upcharge for custom depth – Please see Sales Associate for pricing.



Double Door Vanity



Single Door Vanity



Vanity Drawer Base

DOUBLE DOOR VANITY	SW	SE	BW	BG	BS	LM	LV	LL	NW	TW	TR	TE
<b>KC __ -V24-2</b> 24” W x 34.5” H	\$358.75	\$358.75	\$365.28	\$384.89	\$358.75	\$371.82	\$371.82	\$371.82	\$283.61	\$277.07		
<b>KC __ -V27</b> 27” W x 34.5” H	\$402.13		\$409.75	\$432.61	\$402.13	\$417.38	\$417.37	\$314.50	\$306.88			
<b>KC __ -V30</b> 30” W x 34.5” H	\$413.26	\$413.26	\$421.15	\$444.85	\$413.26	\$429.05	\$429.05	\$429.05	\$322.43	\$322.43	\$314.53	
<b>KC __ -V33</b> 33” W x 34.5” H	\$444.40		\$453.08	\$479.11	\$444.40	\$461.76	\$461.76	\$344.62	\$335.94			
<b>KC __ -V36</b> 36” W x 34.5” H	\$465.54		\$474.74	\$502.36	\$465.54	\$483.95	\$483.95	\$359.69	\$350.49			

Standard depth is 21”. Custom depths, as shallow as 12”, are available for an additional \$125.00.

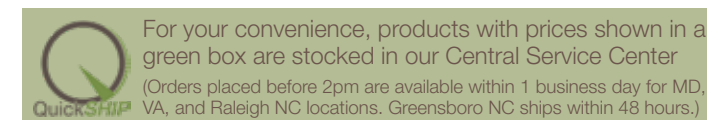
SINGLE DOOR VANITY	SW	SE	BW	BG	BS	LM	LV	LL	NW	TW	TR	TE
<b>KC __ -VB12</b> 12” W x 34.5” H	\$348.74		\$355.02	\$373.88	\$348.74	\$361.30	\$361.30	N/A				
<b>KC __ -VB15</b> 15” W x 34.5” H	\$370.99		\$377.83	\$398.35	\$370.99	\$384.67	\$384.67	\$292.31	\$285.47			
<b>KC __ -VB18</b> 18” W x 34.5” H	\$392.12		\$399.49	\$421.60	\$392.12	\$406.86	\$406.86	\$307.38	\$300.01			

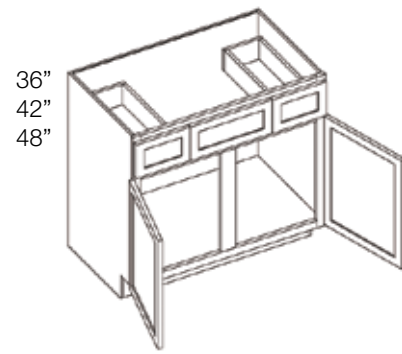
Standard depth is 21”. Custom depths, as shallow as 18”, are available for an additional \$125.00.

Single Door Vanities have a Left or Right door hinge option. Please add a “-L” or “-R” at the end of the sku to note which ordered.

VANITY DRAWER BASE	SW	SE	BW	BG	BS	LM	LV	LL	NW	TW	TR	TE
<b>KC __ -VDB12</b> 12” W x 34.5” H	\$497.80	\$507.81	\$507.81	\$537.85	\$497.80	\$517.82	\$517.82	\$382.67	\$372.65			
<b>KC __ -VDB15</b> 15” W x 34.5” H	\$530.06	\$540.88	\$540.88	\$573.33	\$530.06	\$551.69	\$551.69	\$405.66	\$394.85			
<b>KC __ -VDB18</b> 18” W x 34.5” H	\$563.43	\$575.08	\$575.08	\$610.04	\$563.43	\$586.74	\$586.74	\$429.44	\$417.79			
<b>KC __ -VDB21</b> 21” W x 34.5” H	N/A		N/A		N/A			N/A	\$469.07	\$456.03		
<b>KC __ -VDB24</b> 24” W x 34.5” H	\$639.07	\$652.62	\$693.25	\$639.07	\$666.16	\$666.16	\$508.70	\$494.27				

Standard depth is 21”. Custom depths, as shallow as 18”, are available for an additional \$550.00.

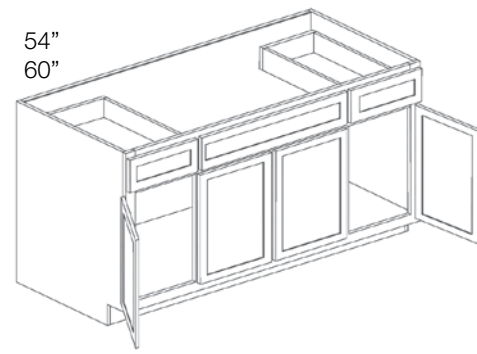




Vanity Sink Base



Double Vanity Sink Base  
Not available in Premier series



Extended Sink Base  
Not available in Premier series

VANITY SINK BASE	SW	SE	BW	BG	BS	LM	LV	LL	NW	TW	TR	TE
KC __ -VSB36 36" W x 34.5" H	\$605.70	\$605.70	\$618.41	\$656.54	\$605.70	\$631.12	\$631.12	\$631.12	\$459.56	\$446.85		
KC __ -VSB42 42" W x 34.5" H	\$660.21		\$674.28	\$716.50	\$660.21	\$688.35	\$688.35	\$498.38	\$484.31			
KC __ -VSB48 48" W x 34.5" H	\$725.84		\$741.55	\$788.69	\$725.84	\$757.27	\$757.27	\$545.16	\$529.45			

Standard depth is 21". Custom depths, as shallow as 18", are available for an additional \$450.00.

DOUBLE BASE	SW	SE	BW	BG	BS	LM	LV	LL	NW	TW	TR	TE
KC __ -DVSB54 54" W x 34.5" H	N/A		N/A				N/A		N/A	\$738.55		\$716.05
KC __ -DVSB60 60" W x 34.5" H	N/A		N/A				N/A		N/A	\$786.11		\$761.94

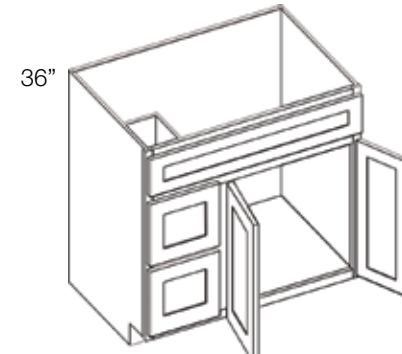
Standard depth is 21". Custom depths, as shallow as 18", are available for an additional \$550.00.

EXTENDED BASE	SW	SE	BW	BG	BS	LM	LV	LL	NW	TW	TR	TE
KC __ -EVS54 54" W x 34.5" H	N/A		N/A				N/A		N/A	\$667.22		\$647.22
KC __ -EVS60 60" W x 34.5" H	N/A		N/A				N/A		N/A	\$698.92		\$677.81

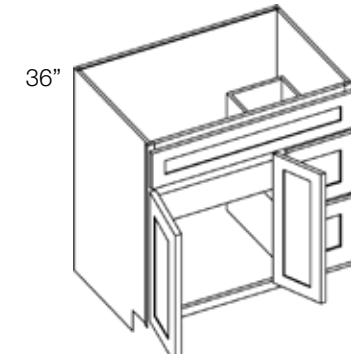
Standard depth is 21". Custom depths, as shallow as 18", are available for an additional \$400.00.



Special Order Items: Lead time is approximately 2.5 weeks.



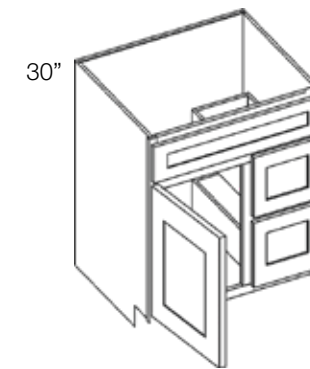
Sink Base w/ Left Drawers  
Not available in Value series



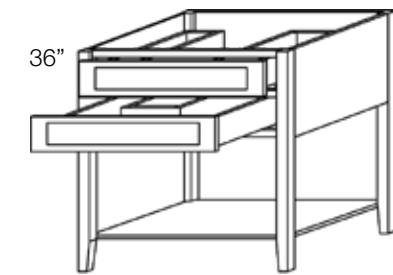
Sink Base w/ Right Drawers  
Not available in Value series

BASE W/ DRAWERS	SW	SE	BW	BG	BS	LM	LV	LL	NW	TW	TR	TE
KC __ -VSDL36 36" W x 34.5" H (Left Drawers)	\$655.76	\$655.76	\$669.72	\$711.60	\$655.76	\$683.68	\$683.68	\$683.68			N/A	
KC __ -VSDR36 36" W x 34.5" H (Right Drawers)	\$655.76	\$655.76	\$669.72	\$711.60	\$655.76	\$683.68	\$683.68	\$683.68			N/A	

Standard depth is 21". Custom depths, as shallow as 18", are available for an additional \$475.00.



Sink Base w/ Left or Right Drawers  
Not available in Lenox or Value series



Sink Base w/ Open Shelf  
Not available in Lenox or Value series

BASE W/ DRAWERS	SW	SE	BW	BG	BS	LM	LV	LL	NW	TW	TR	TE
KC __ -VSDL30 30" W x 34.5" H (Left Drawers)	\$570.11	\$570.11	\$581.92	\$617.38		N/A			\$593.74		N/A	
KC __ -VSDR30 30" W x 34.5" H (Right Drawers)	\$570.11	\$570.11	\$581.92	\$617.38		N/A			\$593.74		N/A	

Standard depth is 21". Custom depths, as shallow as 18", are available for an additional \$475.00.

OPEN SHELF BASE	SW	SE	BW	BG	BS	LM	LV	LL	NW	TW	TR	TE
KC __ -VSBOS36 36" W x 34.5" H	\$839.31		\$857.86	\$913.50		N/A			\$876.40		N/A	

Standard depth is 15". Custom depths not available.



Special Order Items: Lead time is approximately 2.5 weeks.



**Wall Tower w/ 3 Drawers**  
Not available in Value series

**Single Door Pantry**

**Double Door Pantry**  
Not available in Value series

WALL TOWER	SW	SE	BW	BG	BS	LM	LV	LL	NW	TW	TR	TE
<b>KC__ -DWR1548</b> 15" W x 48" H	\$603.48		\$616.13		\$654.09	\$603.48	\$628.78		\$628.78		N/A	
<b>KC__ -DWR1554</b> 15" W x 54" H	\$631.29		\$644.64		\$684.68	\$631.29	\$657.98		\$657.98		N/A	
<b>KC__ -DWR1560</b> 15" W x 60" H	\$675.78		\$690.24		\$733.63	\$675.78	\$704.71		\$704.71		N/A	

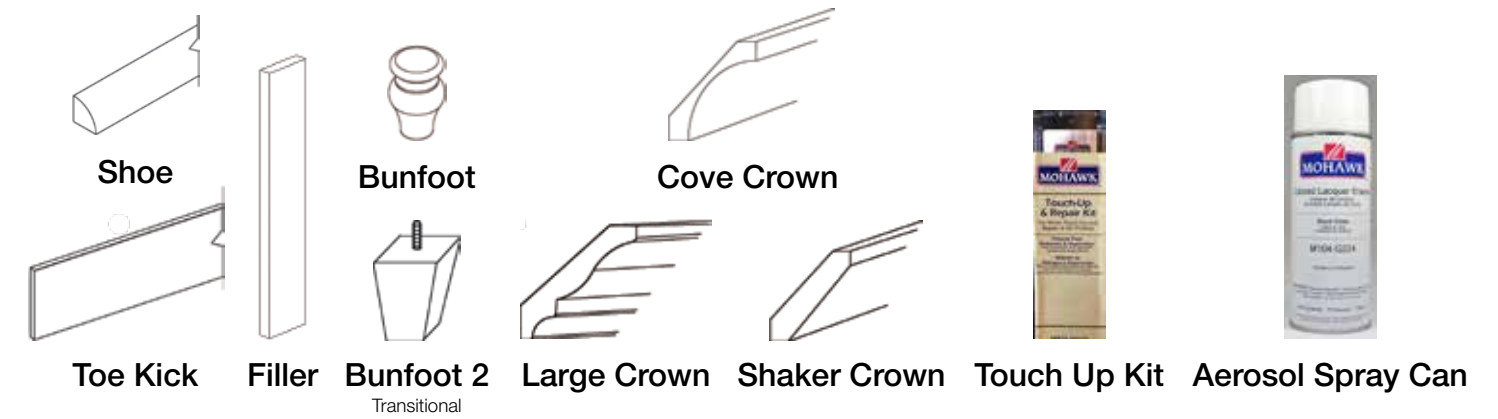
Standard depth is 15". Custom depths not available.  
Wall Towers have a Left or Right door hinge option. Please add a "-L" or "-R" at the end of the sku to note which ordered.

SINGLE DOOR PANTRY	SW	SE	BW	BG	BS	LM	LV	LL	NW	TW	TR	TE
<b>KC__ -P1884</b> 18" W x 84" H (Includes 4 sheves)	\$802.60		\$820.23		\$873.12	\$802.60	\$837.86		\$837.86	\$599.83		\$582.20
<b>KC__ -P1890</b> 18" W x 90" H (Includes 4 sheves)	\$858.22		\$877.24		\$934.30	\$858.22	\$896.26		\$896.26	\$639.46		\$620.44
<b>KC__ -P1896</b> 18" W x 96" H (Includes 5 sheves)	\$889.36		\$909.16		\$968.57	\$889.36	\$928.97		\$928.97	\$661.66		\$641.85

Standard depth is 24". Custom depths, as shallow as 12", are available for an additional \$250.00.  
Single Door Pantries have a Left or Right door hinge option. Please add a "-L" or "-R" at the end of the sku to note which ordered.

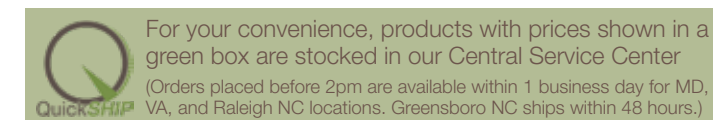
DOUBLE DOOR PANTRY	SW	SE	BW	BG	BS	LM	LV	LL	NW	TW	TR	TE
<b>KC__ -P2484</b> 24" W x 84" H (Includes 4 sheves)	\$970.57		\$992.40		\$1,057.89	\$970.57	\$1,014.23		\$1,014.23		N/A	
<b>KC__ -P2490</b> 24" W x 90" H (Includes 4 sheves)	\$999.49		\$1,022.05		\$1,089.71	\$999.49	\$1,044.60		\$1,044.60		N/A	
<b>KC__ -P2496</b> 24" W x 96" H (Includes 5 sheves)	\$1,067.35		\$1,091.60		\$1,164.35	\$1,067.35	\$1,115.85		\$1,115.85		N/A	

Standard depth is 24". Custom depths, as shallow as 12", are available for an additional \$250.00.



ACCESSORIES	SW	SE	BW	BG	BS	LM	LV	LL	NW	TW	TR	TE
<b>KC__ -TKS8</b> 96" W x 4.5" H x 0.25" D Toe Kick	\$16.69	\$16.69	\$17.10		\$18.35	\$16.69	\$17.52	\$17.52	\$17.52	\$15.85	\$15.85	\$15.30
<b>KC__ -F396</b> 3" W x 96" H x 0.75" D Filler	\$52.28	\$52.28	\$53.59		\$57.51	\$52.28	\$54.90	\$54.90	\$54.90	\$49.95	\$49.95	\$48.19
<b>KC__ -F696</b> 6" W x 96" H x 0.75" D Filler	\$104.57		\$107.18		\$115.02	\$104.57	\$109.79	\$109.79	\$109.79	\$99.87		\$96.36
<b>KC__ -SHOE</b> 96" W x 0.6875" H x 0.6875" D Shoe Molding	\$20.02	\$20.02	\$20.52		\$22.03	\$20.02	\$21.02	\$21.02	\$21.02	\$19.02		\$18.35
<b>KC__ -TBUNFOOT</b> 3" W x 4.5" H x 3" D Bunfoot	N/A		\$79.81		\$85.65	\$77.87	\$81.76	\$81.76	\$81.76		N/A	
<b>KC__ -TBUNFOOT2</b> 3.5" W x 4.5" H x 3.5" D Bunfoot	\$77.87		\$77.49		\$85.65		N/A	N/A	\$81.76		N/A	
<b>KC__ -COM8</b> 96" W x 3.25" H x 2.75" D Cove Crown Molding	\$152.96		\$142.53		\$152.96	\$152.96	\$146.00	\$146.00	\$146.00	\$99.09		\$95.61
<b>KC__ -BCM8</b> 96" W x 3.25" H x 2.625" D Large Crown Molding	N/A		\$136.83		\$146.84	\$133.49	\$140.16	\$140.16	\$140.16		N/A	
<b>KC__ -SCM8</b> 96" W x 3.125" H x 2 D Shaker Crown Molding	\$65.63		N/A		N/A		N/A	N/A	N/A		N/A	

TOUCH UPS	SW	SE	BW	BG	BS	LM	LV	LL	NW	TW	TR	TE
<b>KC__ -SPRAYCAN</b> Aerosol Spray Can	\$55.62	\$55.62	\$55.62		\$55.62	\$55.62	\$55.62	\$55.62	\$55.62		\$55.62	
<b>KC__ -TUKIT</b> Touch Up Kit	\$34.76	\$34.76	\$34.76		\$34.76	\$34.76	\$34.76	\$34.76	\$34.76		\$34.76	



Special Order Items: Lead time is approximately 2.5 weeks.

Special Order Items: Lead time is approximately 2.5 weeks.

## Accessorize With Your Choice Of QuickSHIP Hardware



Ascendra 1-1/4" Knob  
Polished Chrome  
TOTK702PC \$8.12/ea



Ascendra 1-1/4" Knob  
Brushed Satin Nickel  
TOTK702BSN \$8.12/ea



Brixton Rimmed 1-1/4" Knob  
Polished Chrome  
TOTK880PC \$7.12/ea



Brixton Rimmed 1-1/4" Knob  
Brushed Satin Nickel  
TOTK880BSN \$7.12/ea



Ascendra 5-11/16" Pull  
Polished Chrome  
TOTK704PC \$12.14/ea



Ascendra 5-11/16" Pull  
Brushed Satin Nickel  
TOTK704BSN \$11.98/ea

## Complete Your Bath



We have an assortment of faucets, shower systems, and accessories all available via QuickSHIP. Ask your Sales Associate for more information.



Britani Widespread Faucet  
SA4120BL \_\_



Ebis Widespread Faucet  
SA3720HY \_\_



Coordinating Shower Heads and Tub Spouts available in both finishes



Chadwick Widespread Faucet  
SA4320GL \_\_



Ebis Single Hole Faucet  
SA3780HY \_\_



Coordinating Paper Holders, Towel Rings, Robe Hooks, and Towel Bars available

Add finish # below to end of SKUs:  
10 Chrome  
75 Satin Nickel



For your convenience, products with prices shown in a green box are stocked in our Central Service Center (Orders placed before 2pm are available within 1 business day for MD, VA, and Raleigh NC locations. Greensboro NC ships within 48 hours.)

## Vanity Cabinet Care

Kitchen Cabinet Distributors wants your cabinets to remain beautiful for years to come, so we've put together some basic maintenance tips to help you care for your new cabinets.

### Cabinet Care Tips

- Wipe your cabinets with a clean, soft, lint-free cloth.
- Use warm water or a mild dishwashing liquid mixed with warm water.
- Ensure spills and splatters are wiped immediately to avoid staining. Prolonged exposure can create discoloration or damage to the finish.
- Always dry surfaces thoroughly once you are done cleaning.
- Wash and polish your cabinets once or twice a year using a coat of high quality, oil-based furniture polish. An emulsion-type clear polish is recommended. Do not use wax-based products as this causes buildup on the cabinet surface.
- Avoid exposure to high heat sources. To avoid damage, we recommend removing cabinet doors and drawers near self-cleaning ovens during cleaning cycles.
- For glass door fronts, use ammonia-free sprays and spray directly on cleaning cloth to avoid spraying cabinet.

### What to Avoid

- Don't use harsh detergents, strong soaps, abrasive cleaning products, scouring powder/pads or other harsh abrasives.
- Don't use spray polishes containing silicone or petroleum solvents.
- Don't use products that contain ammonia.
- Don't use bleach or products containing bleach.
- Don't use a dishcloth or sponge to clean or dry cabinets. They may contain grease or particles that damage the finish.
- Don't mount or place heat-producing appliances beneath cabinets due to excess heat and moisture exposure. If you notice moisture buildup, wipe dry immediately.
- Don't use brass and silver polishes on hardware as they contain harsh chemicals that can damage the cabinet finish.

## Vanity Cabinet Warranty & Compliancy

Kitchen Cabinet Distributors warrants that all of its products will be free from defects in workmanship and material for a period of five years from the date of shipment from our facility. This limited warranty applies only to the use of our products in normal residential use. Defects are defined as any imperfection that may prohibit the use of the cabinet in normal residential applications or which otherwise do not measure up to our quality standards. This warranty applies to the original owner and cannot be transferred to subsequent owners. Defects or damage caused by improper assembly or disassembly, intentional damage, misuse, product modifications, exposure to the elements, accident, or negligence on the part of persons other than Kitchen Cabinet Distributors is not covered by this limited warranty.

Kitchen Cabinet Distributors factories are ISO-14001 compliant, KCMA Certified, and meet the TSCA or CARB II emissions standards.

These vanities are **CARB2 Compliant**. What does this mean to you? That the California Air Resources Board has ensured these products meet strict environmental standards that have been certified by independent third party companies for low VOCs. This protects you from airborne toxic contaminants such as formaldehyde emissions. This allows Mosaic to proudly offer you products that are safe for your family.



mosaic   
Products. Design. Solutions.

Alexandria, VA | Chantilly, VA | Fairfax, VA | Richmond, VA | Virginia Beach, VA  
North Bethesda, MD\* | Owings Mills, MD\* | Greensboro, NC | Raleigh, NC

[www.mosaictileco.com](http://www.mosaictileco.com)



Noted (\*) locations are 100% wind powered! All locations support renewable power sources.

